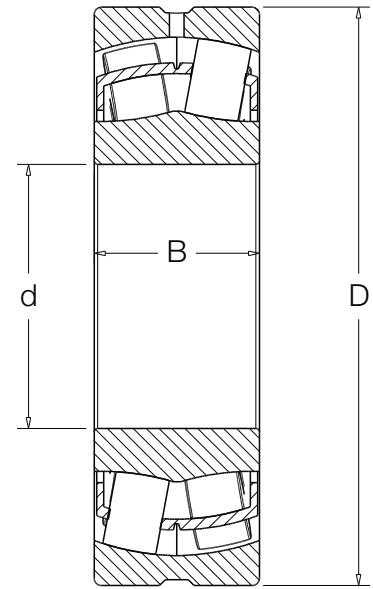
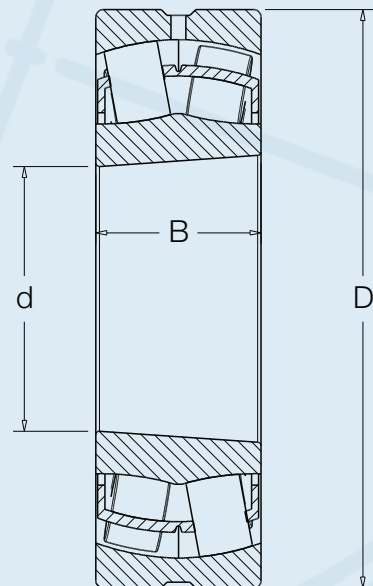


22200 series

Bearing Number	Dimensions (mm)			Dynamic Load Rating (lbf)	Static Load Rating (lbf)	Weight (lbs)
	d	D	B			
22205	25	52	18	8048	8273	0.4
22206	30	62	20	7531	8588	0.6
22207	35	72	23	10161	13376	1.0
22208	40	80	23	11195	15399	1.2
22209	45	85	23	11735	16456	1.3
22210	50	90	23	12859	16456	1.5
22211	55	100	25	14837	19603	1.9
22212	60	110	28	20233	27427	2.6
22213	65	120	31	21896	28776	3.4
22214	70	125	31	23492	31923	3.7
22215	75	130	31	24617	33047	3.8
22216	80	140	33	28438	40466	5.0
22217	85	150	36	35857	51256	6.2
22218	90	160	40	41545	61148	8.8
22219	95	170	43	52425	72388	10.0
22220	100	180	46	54898	80482	11.3
22222	110	200	53	71219	104536	15.4
22224	120	215	58	84573	127017	20.0
22226	130	230	64	100894	159165	25.0
22228	140	250	68	118204	180971	31.2
22230	150	270	73	125623	196708	40.5
22232	160	290	80	158760	256282	51.7
22234	170	310	86	178049	292252	63.4
22236	180	320	86	181781	307988	68.0
22238	190	340	92	202283	339462	82.3
22240	200	360	98	237848	391168	96.6



STRAIGHT BORE



TAPERED BORE

C - Symmetrical Roller, Stamped Steel Retainer

CA - Symmetrical Roller, One-Piece Bronze Retainer

MB - Symmetrical Roller, Two-Piece Bronze Retainer

W33 - A lubricating groove and three lubricating holes on the outer race

K - 1:12 Tapered Bore

C3 - Larger than nominal clearance